

THE TEKNEK NARROW WEB CLEAN MACHINE

teknek

An ITW Company



TEKNEK NARROW WEB CLEAN MACHINE

The Narrow Web Clean Machine " NWP " has been specifically designed to remove contamination from a moving web of material. Label Printers around the world already enjoy this fully integrated contact cleaning system, Gallus, Nilpeter and MPS to name a few.

The machine uses the proven Teknek elastomer contact cleaning rollers and pre-sheeted adhesive rolls which provide the most efficient cleaning engine and yield improvement system on the market today. The large diameter elastomer rollers will lift dry unattached particles down to a micron and transfer them to a reverse wound pre-sheeted adhesive roll. When the adhesive is full of contamination a layer is easily removed refreshing the roll.

SPECIFICATION

Available in five widths	254 - 345 - 430 - 520 - 570mm *
Process Speed	Up to 250m/min (web driven) **
Power requirements	24v DC (Line Running signal)
Active Anti Static System	110/240v AC 50/60 Hz
Pneumatic pressure required	5 - 7Bar Oil Free air

* NWP 600 and 750mm is available on request

** Speeds higher than 250m/min contact Teknek



FEATURES

BENEFITS



Side Access to Teknek Pre-Sheeted Adhesive

The operator has full side access to the Teknek Pre-Sheeted Adhesive Rolls for purging. This ensures the NWP can be fully integrated into the line or process.



Full and easy access

Threading up of the web is made very easy with the opening top half of the NWP. This feature also allows the operator full access to the elastomer rollers for cleaning. Easily removable side covers gives great maintenance access.



Quick release holder "QRH"

The "QRH" system within the NWP provides the operator a fast, safe and simple method of replacing the Teknek pre-sheeted adhesive rolls. No tools are required to change out the adhesive rolls.



Back Mounting

Base Mounting

Flexibility in mounting position ensure the NWP can be fully integrated into many applications. The machine can be mounted in both vertical and horizontal positions depending on the requirements of the application.



Active Anti Static System

Passive Anti Static System

The NWP has the option of two different Anti Static systems, active and passive. Mounted on the exit of the machine each system will greatly reduce the risk of re-contamination of the web after cleaning.



Optional Diverter Rollers

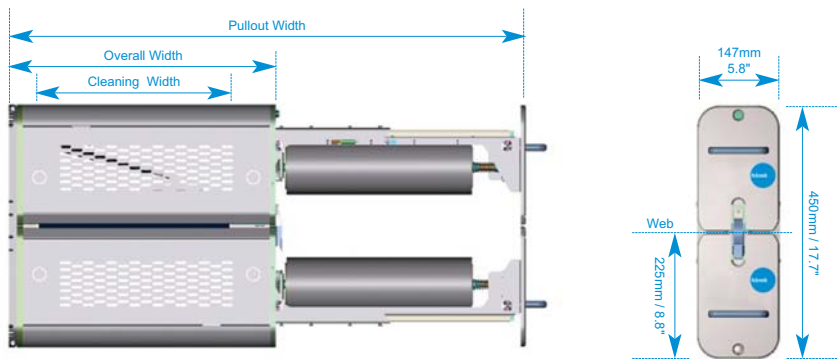
The flexible design of the NWP allow for optional diverter rollers to be fitted either to the entry or exit of the machine. The ability for different web paths in and out of the NWP provide the customer with many options on mounting position.

TEKNEK NARROW WEB CLEAN MACHINE



An ITW Company

TECHNICAL SPECIFICATION



MACHINE	CLEANING WIDTH	OVERALL WIDTH	PULLOUT WIDTH
NWP - 254	254mm	413mm	820mm
NWP - 345	345mm	504mm	996mm
NWP - 430	430mm	589mm	1166mm
NWP - 520	520mm	679mm	1346mm
NWP - 570	570mm	729mm	1445mm

NWP 600 & 750 widths are available or request




Maintain the Teknek cleaning engine performance with Teknek pre-sheated adhesive rolls. Reduce operator injuries as there is no need for knives. Reduce scrap as the operator only removes one layer of adhesive at a time. Order your replacement Teknek sheeted adhesive rolls at www.teknek.com



Teknek elastomer rollers, main components within "The Teknek Cleaning Engine" are manufactured in our own production facility. Our in-house team of chemists, engineers and designers work together to ensure the elastomer rollers made are the best in the world. Order your replacement Teknek elastomer rollers at www.teknek.com

WORLD LEADER IN CONTACT CLEANING

 **Teknek Head Office**
River Drive
Inchinnan Business Park
Renfrewshire, PA4 9RT
Scotland, UK


T: +44 (0)141 568 8100
F: +44 (0)141 568 8101

 **Teknek Japan Ltd**
1-2-4, Minatojima-Nakamachi,
Chuo-ku,
Kobe 650-0046
Japan

T: +81 (0)78 304 5780
F: +81 (0)78 304 5781

 **Teknek China Ltd**
1505 Haitong Security Building
No. 689 Guangdong Road,
Huangpu Area, Shanghai
China 200001

T: +86 (0)21 3311 0329
F: +86 (0)21 3311 0330

 **Teknek (Simco-Ion)**
2257 North Penn Road
Hatfield,
PA 19440
USA

T: +1 215 822 6401
E: ussales@teknek.com